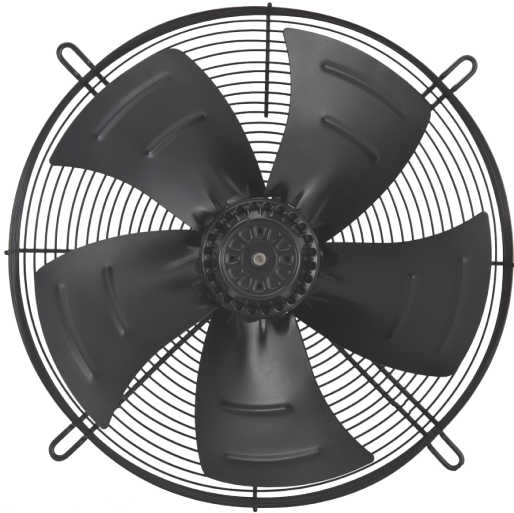


Model:YWF(K)4E400-Z

Fan type:AC Axial fan



Manufactory:Zhejiang MingZhen Electric & Electronic Co., Ltd.

ADD:The Central Industry Zone, Chengnan Town, WenLing City, Zhejiang Province, China

TEL:0086-576-86268888

FAX:0086-576-86268020

Mail:info1@cnsanmu.com

WEB:http://www.cnsanmu.com

Fan Introduction

This product consist of outer rotor(AC)motor, axial impeller, with features of compact structure, convenient installation, reliable operation, low noise, energy saving etc..

Scope of application

General purpose fan, can be widely used in purification of air conditioning systems, ventilation duct dust, environmental protection, refrigeration equipment and other fields.

Environmental requirements

- Operating ambient temperature range:-25℃~+65℃
- Working environment humidity range:<90%
- Transportation and storage temperature range:-40℃~+80℃
- Transportation and storage environment humidity range:<80%
- The storage place is well ventilated, corrosive gases not contained.

Model:YWF(K)4E400-Z

Fan type:AC Axial fan

Design, manufacturing, testing standards and certification

- JB-T10562 Technical specification for general purposes axial fans
- GB/T 14711 General safety requirements for Medium and small rotary motor
- GB755/IEC60034-1 rotary motor quota and performance
- The level of balance is in accordance with ISO 1940, G6.3
- Vibration testing and velocity is performed according to JB/T8689.
- This product is certified by China CCC and EU CE
- ISO 9001 quality system certification

Technical features

Mass	6.1 kg
Size	φ400 mm
Impeller material	cold rolled sheet steel
Direction	Suction(Seen from cable exit)
Protection class	IP54
Insulation class	F
Mounting	Shaft horizontal or rotor on bottom; rotor on top on request
Mode of operation	S1(Continuous operation)
Bearings	Maintenance-free ball bearings
Thermal protector	Can be built in or out of line according to requirements

Structures

Blades count	5
Impeller type	Conventional welding blade
Attachment	Hight Concave Guard Grille

Technical parameters

Supply	1P,220~240V
Frequency	50 Hz
Motor poles	4
Rated voltage	230 VAC
Power input	180 W

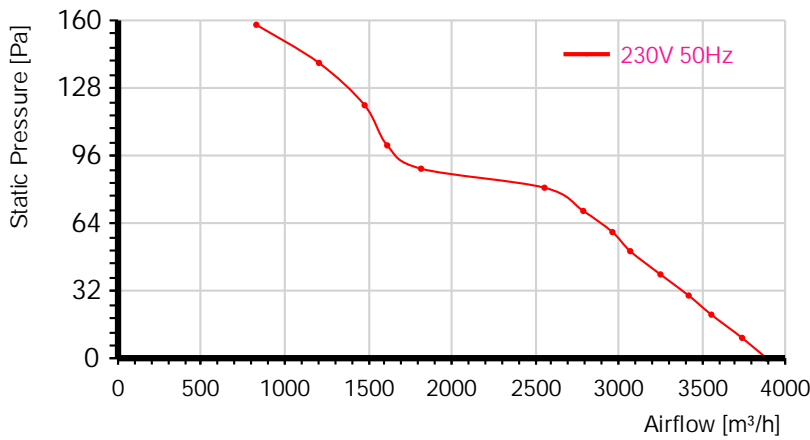
Model: YWF(K)4E400-Z

Fan type: AC Axial fan

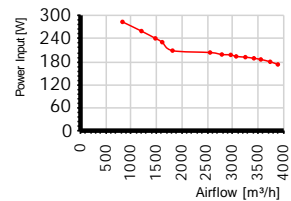
Rated current	0.81 A
Rated speed	1350 r/min
Max airflow	3900 m ³ /h (Static pressure=0Pa)
Acoustic	67 dB(A) measured at 1.0m from inlet side

Performance curve

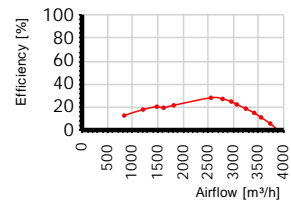
Airflow curve



Power input curve



Efficiency on static pressure



Performance test with reference to GB/T 1236-2017, equivalent to ISO 5801

TestID	2011100402			Capacitor	6 uF
Test environment					
Outlet size	Outlet area	Temperature	Humidity	Baropressure	Density
400mm	0.1257m ²	22°C	65%	100.8kPa	1.2kg/m ³

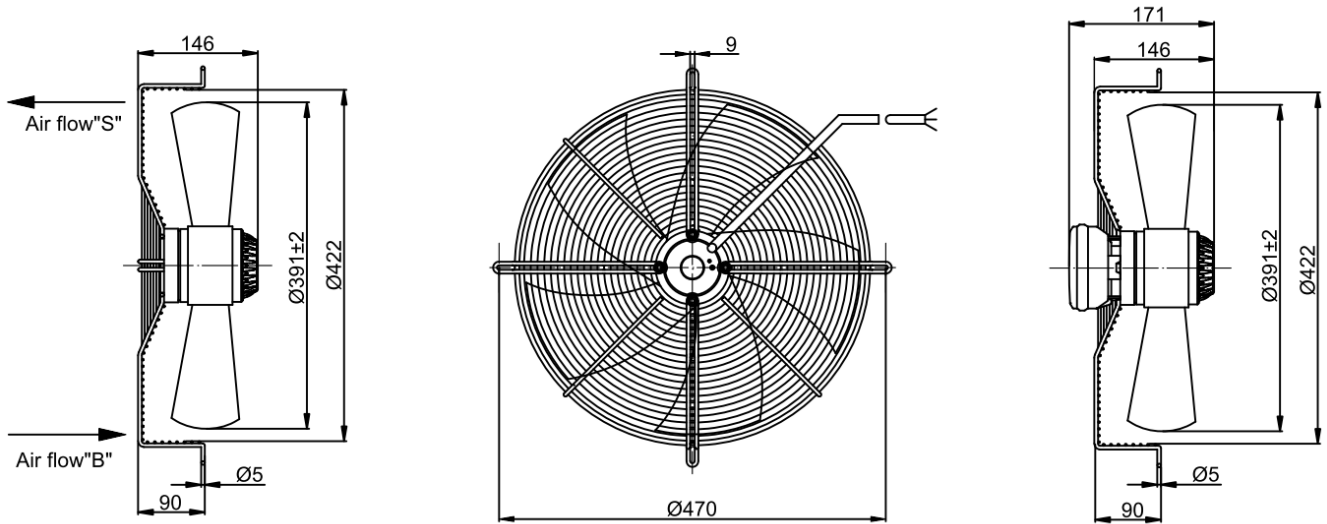
Test data										
Voltage	Frequency	Speed	Power input	Current	Airflow	Static pressure	Dynamic pressure	Total pressure	Pressure Difference	Nozzle Size
V	Hz	r/min	W	A	m ³ /h	Pa	Pa	Pa	Pa	mm
230.4	50	1260	284	1.23	829	158	2	160	106	150+189*0
231.4	50	1303	260	1.13	1204	140	4	144	222	150+189*0
231.4	50	1310	241	1.04	1478	120	6	126	333	150+189*0
232	50	1347	231	1	1613	101	8	108	396	150+189*0
232.1	50	1374	209	0.91	1816	90	10	99	200	+189*1
231.2	50	1378	204	0.89	2556	81	19	100	394	+189*1
230.4	50	1382	199	0.87	2788	70	22	92	468	+189*1
231.7	50	1382	198	0.86	2963	60	25	85	200	150+189*1
231.8	50	1388	194	0.84	3070	51	27	78	215	150+189*1
231.5	50	1391	192	0.84	3251	40	30	71	241	150+189*1
231.1	50	1396	189	0.83	3420	30	34	64	267	150+189*1

Model:YWF(K)4E400-Z

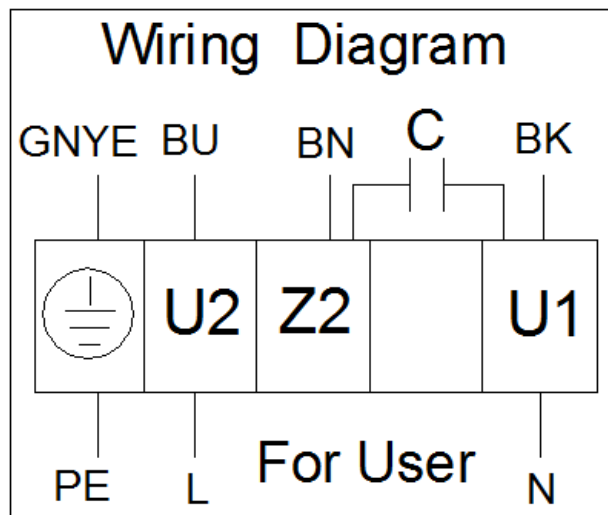
Fan type:AC Axial fan

231.8	50	1400	186	0.81	3556	21	36	58	288	150+189*1
231.7	50	1405	180	0.79	3740	10	40	50	318	150+189*1
230	50	1410	173	0.76	3892	0	44	44	345	150+189*1

Dimensions(in mm)



Wiring diagram



Attentions

- Please check the appearance and the accessories if there is no damage before use, check the model is consistent with requirements;

Model:YWF(K)4E400-Z

Fan type:AC Axial fan

- Keep reliable grounding according to the wiring diagram. to avoid motor burning and personal accident, please check wiring is loose or fall off;
- Before connect the power supply, check whether the motor is reliable, otherwise it will cause motor damage and personal injury;
- It is forbidden to pull the power cable, if the power cable is damaged, to be repaired before use, to avoid the accident of electric shock;
- Drop or impact motor is forbidden;
- Washing motor with water is prohibited, it will reduce the motor insulation level, even lead to electric leakage even endanger personal safety;
- Special customized product is designed for specified requirements, please consult with our engineers before change useage;
- The temperature of the motor shell may be higher in a short time after the fan stopped, Please avoid direct contact with the motor surface. If necessary, please take protective measures to prevent scald;
- Do not contact the impeller when the fan running, you need to wait for all the parts stopped before operate it;
- When the fan is installed, check and ensure thers is no debris in the shell and other shell body, keep the fan clean;
- After the fan installation complete, before connected to supply, please confirm that there is no collision or interference or stuck.

Product life and maintenance, warranty

- The design life of this product is 40,000 hours. This data is derived from the expected life of L10 for general ball bearings at 40°C is 40,000 hours. The actual service life of the product is affected by the use environment (temperature, humidity, installation, bearing load, etc.).
- According to the use of the environment, please make a clean maintenance every 3~6 months.

Model:YWF(K)4E400-Z

Fan type:AC Axial fan

- From the date of purchase (order delivery date), The warranty period is one year. During this period, for failure due to the quality of the product itself, we provide free replacement or repairing. If the damage caused by improper disassembly, transportation, artificial damage or natural disasters, etc., is not in the scope of this warranty;