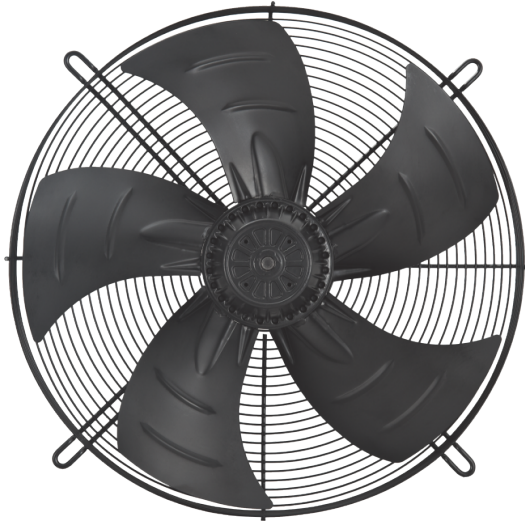


Model:YWF(K)4E500-Z

Fan type:AC Axial fan



Manufactory:Zhejiang MingZhen Electric & Electronic Co., Ltd.

ADD:The Central Industry Zone, Chengnan Town, WenLing City, Zhejiang Province, China

TEL:0086-576-86268888

FAX:0086-576-86268020

Mail:info1@cnsanmu.com

WEB:http://www.cnsanmu.com

Fan Introduction

This product consist of outer rotor(AC)motor, axial impeller, with features of compact structure, convenient installation, reliable operation, low noise, energy saving etc..

Scope of application

General purpose fan, can be widely used in purification of air conditioning systems, ventilation duct dust, environmental protection, refrigeration equipment and other fields.

Environmental requirements

- Operating ambient temperature range:-25℃~+50℃
- Working environment humidity range:<90%
- Transportation and storage temperature range:-40℃~+80℃
- Transportation and storage environment humidity range:<80%
- The storage place is well ventilated, corrosive gases not contained.

Model:YWF(K)4E500-Z

Fan type:AC Axial fan

Design, manufacturing, testing standards and certification

- JB-T10562 Technical specification for general purposes axial fans
- GB/T 14711 General safety requirements for Medium and small rotary motor
- GB755/IEC60034-1 rotary motor quota and performance
- The level of balance is in accordance with ISO 1940, G6.3
- Vibration testing and velocity is performed according to JB/T8689.
- This product is certified by China CCC and EU CE
- ISO 9001 quality system certification

Technical features

Mass	9.5 kg
Size	φ500 mm
Impeller material	cold rolled sheet steel
Direction	Blow(Seen from cable exit)
Protection class	IP54
Insulation class	F
Mounting	Shaft horizontal or rotor on bottom; rotor on top on request
Mode of operation	S1(Continuous operation)
Bearings	Maintenance-free ball bearings
Thermal protector	Can be built in or out of line according to requirements

Structures

Blades count	5
Impeller type	Conventional welding blade
Attachment	Hight Concave Guard Grille

Technical parameters

Supply	1P,220~240V
Frequency	50 Hz
Motor poles	4
Rated voltage	230 VAC
Power input	420 W

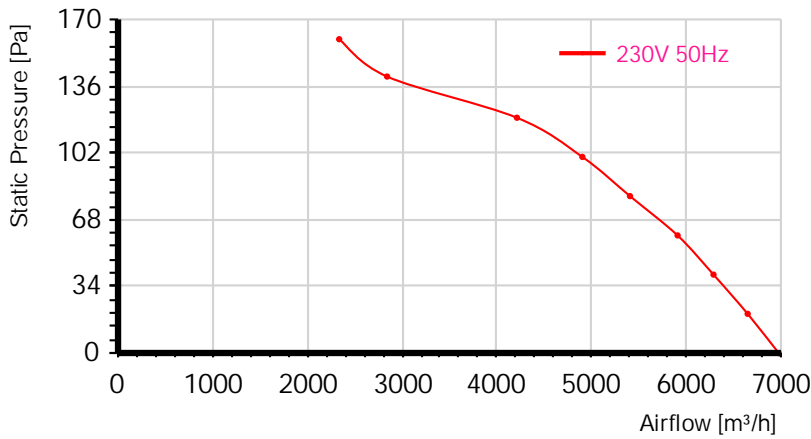
Model: YWF(K)4E500-Z

Fan type: AC Axial fan

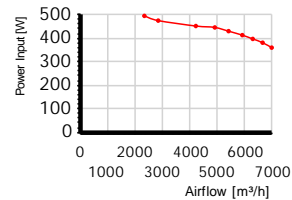
Rated current	1.85 A
Rated speed	1320 r/min
Max airflow	7000 m ³ /h (Static pressure=0Pa)
Acoustic	72 dB(A) measured at 1.0m from inlet side
ErP level	2015

Performance curve

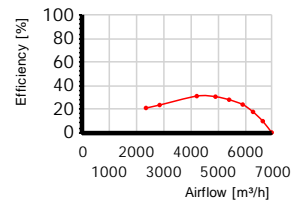
Airflow curve



Power input curve



Efficiency on static pressure



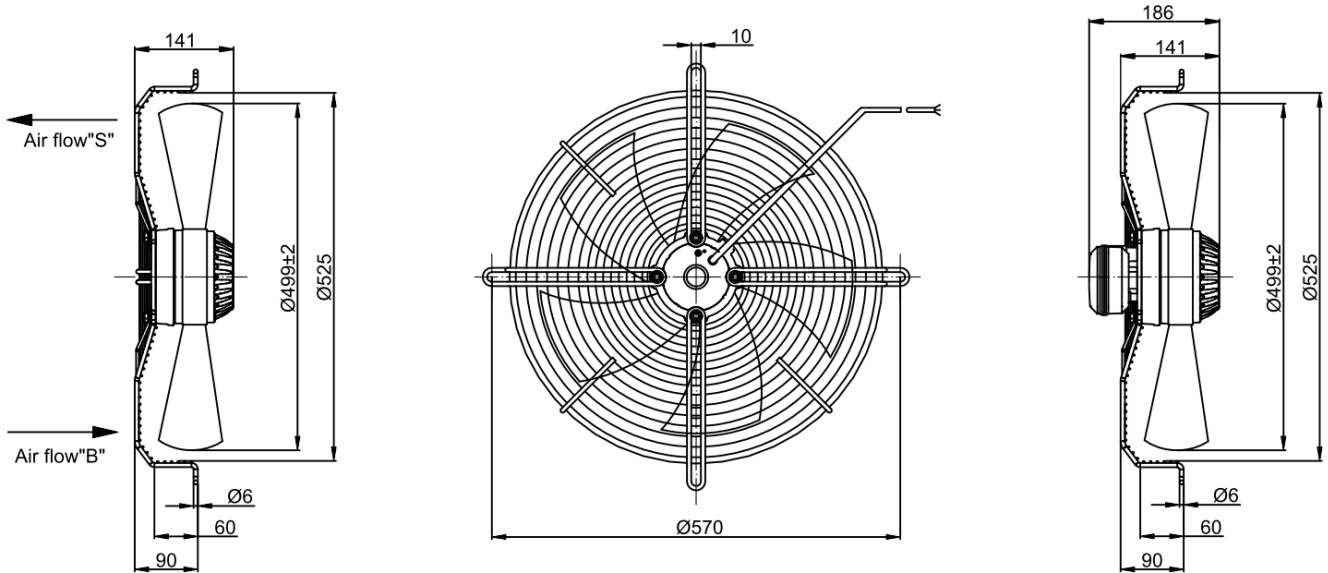
Performance test with reference to GB/T 1236-2017, equivalent to ISO 5801

TestID	2011100501			Capacitor	12 uF					
Test environment										
Outlet size	Outlet area	Temperature	Humidity	Baropressure	Density					
500mm	0.1963m ²	22°C	64%	100.8kPa	1.2kg/m ³					
Test data										
Voltage	Frequency	Speed	Power input	Current	Airflow	Static pressure	Dynamic pressure	Total pressure	Pressure Difference	Nozzle Size
V	Hz	r/min	W	A	m ³ /h	Pa	Pa	Pa	Pa	mm
230.6	50	1235	495	2.15	2336	160	6	166	329	+189*1
232.4	50	1260	475	2.05	2841	141	10	151	486	+189*1
232.2	50	1287	452	1.95	4213	120	21	141	403	150+189*1
232.2	50	1300	446	1.93	4904	100	28	129	211	150+189*2
232	50	1310	430	1.87	5407	80	35	115	256	150+189*2
231.6	50	1324	413	1.8	5909	60	41	101	305	150+189*2
231.6	50	1336	397	1.74	6289	40	47	87	345	150+189*2
231.1	50	1350	381	1.67	6649	20	52	72	386	150+189*2
232.2	50	1360	360	1.58	6978	0	58	58	425	150+189*2

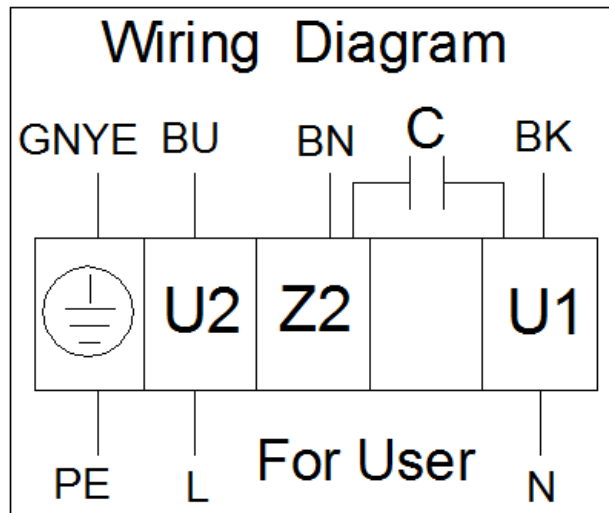
Model: YWF(K)4E500-Z

Fan type: AC Axial fan

Dimensions (in mm)



Wiring diagram



Attentions

- Please check the appearance and the accessories if there is no damage before use, check the model is consistent with requirements;
- Keep reliable grounding according to the wiring diagram. to avoid motor burning and personal accident, please check wiring is loose or fall off;

Model:YWF(K)4E500-Z

Fan type:AC Axial fan

- Before connect the power supply, check whether the motor is reliable, otherwise it will cause motor damage and personal injury;
- It is forbidden to pull the power cable, if the power cable is damaged, to be repaired before use, to avoid the accident of electric shock;
- Drop or impact motor is forbidden;
- Washing motor with water is prohibited, it will reduce the motor insulation level, even lead to electric leakage even endanger personal safety;
- Special customized product is designed for specified requirements, please consult with our engineers before change useage;
- The temperature of the motor shell may be higher in a short time after the fan stopped, Please avoid direct contact with the motor surface. If necessary, please take protective measures to prevent scald;
- Do not contact the impeller when the fan running, you need to wait for all the parts stopped before operate it;
- When the fan is installed, check and ensure thers is no debris in the shell and other shell body, keep the fan clean;
- After the fan installation complete, before connected to supply, please confirm that there is no collision or interference or stuck.

Product life and maintenance, warranty

- The design life of this product is 40,000 hours. This data is derived from the expected life of L10 for general ball bearings at 40°C is 40,000 hours. The actual service life of the product is affected by the use environment (temperature, humidity, installation, bearing load, etc.).
- According to the use of the environment, please make a clean maintenance every 3~6 months.
- From the date of purchase (order delivery date), The warranty period is one year. During this period, for failure due to the quality of the product itself, we provide free replacement or repairing. If the damage caused by improper disassembly, transportation, artificial damage or natural disasters, etc., is not in the scope of this warranty;