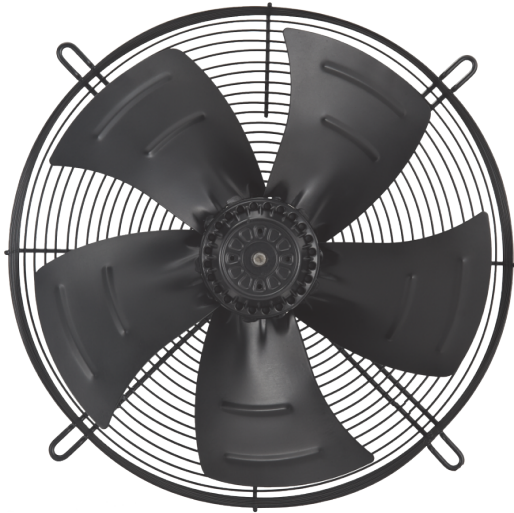


Model:YWF(K)6E400-Z

Fan type:AC Axial fan



Manufactory:Zhejiang MingZhen Electric & Electronic Co., Ltd.

ADD:The Central Industry Zone, Chengnan Town, WenLing City, Zhejiang Province, China

TEL:0086-576-86268888

FAX:0086-576-86268020

Mail:info1@cnsanmu.com

WEB:http://www.cnsanmu.com

Fan Introduction

This product consist of outer rotor(AC)motor, axial impeller, with features of compact structure, convenient installation, reliable operation, low noise, energy saving etc..

Scope of application

General purpose fan, can be widely used in purification of air conditioning systems, ventilation duct dust, environmental protection, refrigeration equipment and other fields.

Environmental requirements

- Operating ambient temperature range:-25℃~+60℃
- Working environment humidity range:<90%
- Transportation and storage temperature range:-40℃~+80℃
- Transportation and storage environment humidity range:<80%
- The storage place is well ventilated, corrosive gases not contained.

Model:YWF(K)6E400-Z

Fan type:AC Axial fan

Design, manufacturing, testing standards and certification

- JB-T10562 Technical specification for general purposes axial fans
- GB/T 14711 General safety requirements for Medium and small rotary motor
- GB755/IEC60034-1 rotary motor quota and performance
- The level of balance is in accordance with ISO 1940, G6.3
- Vibration testing and velocity is performed according to JB/T8689.
- This product is certified by China CCC and EU CE
- ISO 9001 quality system certification

Technical features

Mass	6.1 kg
Size	φ400 mm
Impeller material	cold rolled sheet steel
Direction	Blow(Seen from cable exit)
Protection class	IP54
Insulation class	F
Mounting	Shaft horizontal or rotor on bottom; rotor on top on request
Mode of operation	S1(Continuous operation)
Bearings	Maintenance-free ball bearings
Thermal protector	Can be built in or out of line according to requirements

Structures

Blades count	5
Impeller type	Conventional welding blade
Attachment	Hight Concave Guard Grille

Technical parameters

Supply	1P,220~240V
Frequency	50/60 Hz
Motor poles	6
Rated voltage	230 VAC
Power input	115/150 W

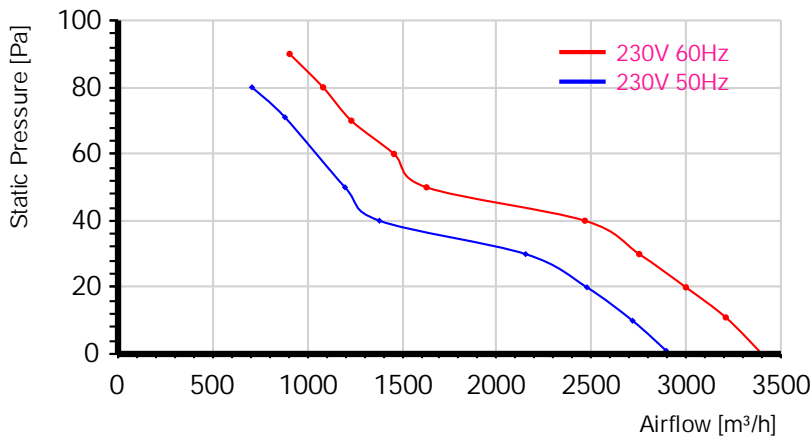
Model: YWF(K)6E400-Z

Fan type: AC Axial fan

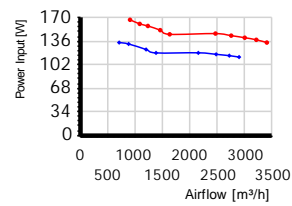
Rated current	0.67/0.75 A
Rated speed	940/1080 r/min
Max airflow	2900/3400 m ³ /h (Static pressure=0Pa)
Acoustic	58/61 dB(A) measured at 1.0m from inlet side

Performance curve

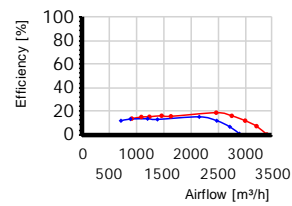
Airflow curve



Power input curve



Efficiency on static pressure



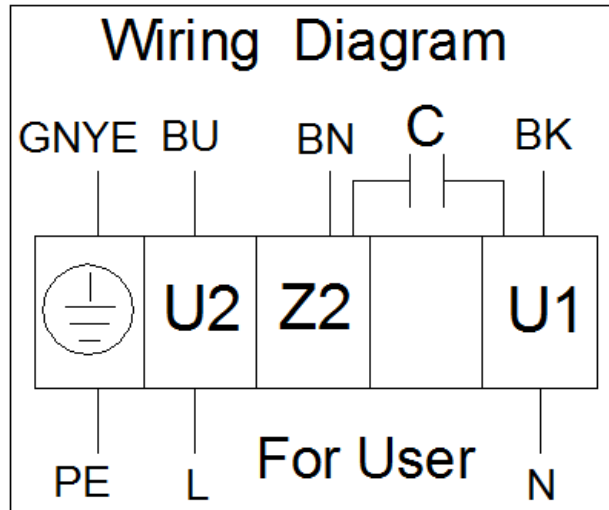
Performance test with reference to GB/T 1236-2017, equivalent to ISO 5801

TestID	2011100505			Capacitor	3 uF					
Test environment										
Outlet size	Outlet area	Temperature	Humidity	Baropressure	Density					
400mm	0.1257m ²	23°C	61%	100.8kPa	1.2kg/m ³					
Test data										
Voltage	Frequency	Speed	Power input	Current	Airflow	Static pressure	Dynamic pressure	Total pressure	Pressure Difference	Nozzle Size
V	Hz	r/min	W	A	m ³ /h	Pa	Pa	Pa	Pa	mm
230.4	60	979	167	0.73	906	90	2	92	126	150+189*0
230.1	60	1015	161	0.7	1083	80	3	84	179	150+189*0
230.6	60	1030	158	0.69	1232	70	4	75	232	150+189*0
230.4	60	1048	152	0.66	1457	60	6	66	324	150+189*0
230.6	60	1060	146	0.63	1629	50	8	58	404	150+189*0
231.3	60	1067	147	0.64	2465	40	18	58	366	+189*1
231.4	60	1075	144	0.63	2752	30	22	52	455	+189*1
231.4	60	1085	141	0.61	2999	20	26	46	540	+189*1
231.6	60	1095	138	0.6	3209	11	30	41	234	150+189*1
231.6	60	1105	134	0.58	3401	0	33	34	263	150+189*1

Model:YWF(K)6E400-Z

Fan type:AC Axial fan

Wiring diagram



Attentions

- Please check the appearance and the accessories if there is no damage before use, check the model is consistent with requirements;
- Keep reliable grounding according to the wiring diagram. to avoid motor burning and personal accident, please check wiring is loose or fall off;
- Before connect the power supply, check whether the motor is reliable, otherwise it will cause motor damage and personal injury;
- It is forbidden to pull the power cable, if the power cable is damaged, to be repaired before use, to avoid the accident of electric shock;
- Drop or impact motor is forbidden;
- Washing motor with water is prohibited, it will reduce the motor insulation level, even lead to electric leakage even endanger personal safety;
- Special customized product is designed for specified requirements, please consult with our engineers before change useage;
- The temperature of the motor shell may be higher in a short time after the fan stopped, Please avoid direct contact with the motor surface. If necessary, please take protective measures to prevent scald;

Model:YWF(K)6E400-Z

Fan type:AC Axial fan

- Do not contact the impeller when the fan running, you need to wait for all the parts stopped before operate it;
- When the fan is installed, check and ensure there is no debris in the shell and other shell body, keep the fan clean;
- After the fan installation complete, before connected to supply, please confirm that there is no collision or interference or stuck.

Product life and maintenance, warranty

- The design life of this product is 40,000 hours. This data is derived from the expected life of L10 for general ball bearings at 40°C is 40,000 hours. The actual service life of the product is affected by the use environment (temperature, humidity, installation, bearing load, etc.).
- According to the use of the environment, please make a clean maintenance every 3~6 months.
- From the date of purchase (order delivery date), The warranty period is one year. During this period, for failure due to the quality of the product itself, we provide free replacement or repairing. If the damage caused by improper disassembly, transportation, artificial damage or natural disasters, etc., is not in the scope of this warranty;