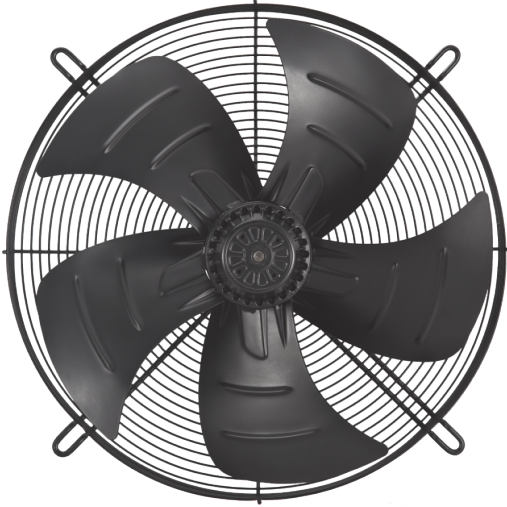


Model:YWF(K)6E450-Z

Fan type:AC Axial fan



Manufactory:Zhejiang MingZhen Electric & Electronic Co., Ltd.

ADD:The Central Industry Zone, Chengnan Town, WenLing City, Zhejiang Province, China

TEL:0086-576-86268888

FAX:0086-576-86268020

Mail:info1@cnsanmu.com

WEB:http://www.cnsanmu.com

Fan Introduction

This product consist of outer rotor(AC)motor, axial impeller, with features of compact structure, convenient installation, reliable operation, low noise, energy saving etc..

Scope of application

General purpose fan, can be widely used in purification of air conditioning systems, ventilation duct dust, environmental protection, refrigeration equipment and other fields.

Environmental requirements

- Operating ambient temperature range:-25℃~+55℃
- Working environment humidity range:<90%
- Transportation and storage temperature range:-40℃~+80℃
- Transportation and storage environment humidity range:<80%
- The storage place is well ventilated, corrosive gases not contained.

Model:YWF(K)6E450-Z

Fan type:AC Axial fan

Design, manufacturing, testing standards and certification

- JB-T10562 Technical specification for general purposes axial fans
- GB/T 14711 General safety requirements for Medium and small rotary motor
- GB755/IEC60034-1 rotary motor quota and performance
- The level of balance is in accordance with ISO 1940, G6.3
- Vibration testing and velocity is performed according to JB/T8689.
- This product is certified by China CCC and EU CE
- ISO 9001 quality system certification

Technical features

Mass	6.9 kg
Size	φ450 mm
Impeller material	cold rolled sheet steel
Direction	Blow(Seen from cable exit)
Protection class	IP54
Insulation class	F
Mounting	Shaft horizontal or rotor on bottom; rotor on top on request
Mode of operation	S1(Continuous operation)
Bearings	Maintenance-free ball bearings
Thermal protector	Can be built in or out of line according to requirements

Structures

Blades count	5
Impeller type	Conventional welding blade
Attachment	Hight Concave Guard Grille

Technical parameters

Supply	1P,220~240V
Frequency	50/60 Hz
Motor poles	6
Rated voltage	230 VAC
Power input	150/185 W

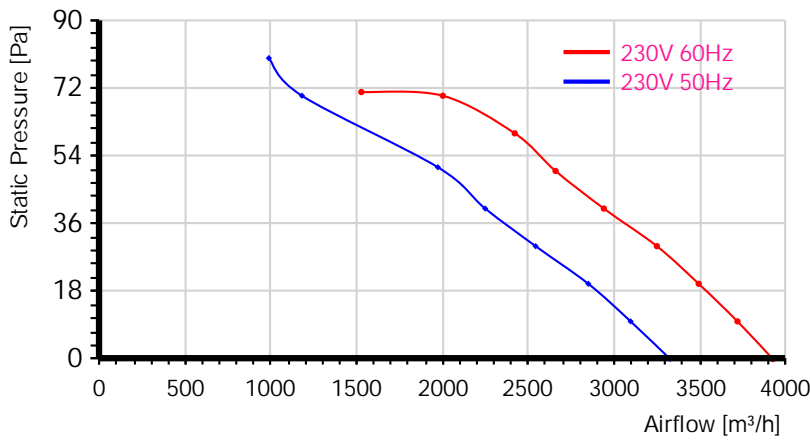
Model: YWF(K)6E450-Z

Fan type: AC Axial fan

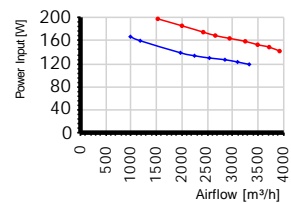
Rated current	0.68/0.82 A
Rated speed	900/1050 r/min
Max airflow	3300/3900 m ³ /h (Static pressure=0Pa)
Acoustic	60/65 dB(A) measured at 1.0m from inlet side

Performance curve

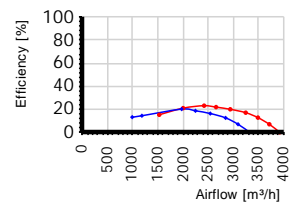
Airflow curve



Power input curve



Efficiency on static pressure



Performance test with reference to GB/T 1236-2017, equivalent to ISO 5801

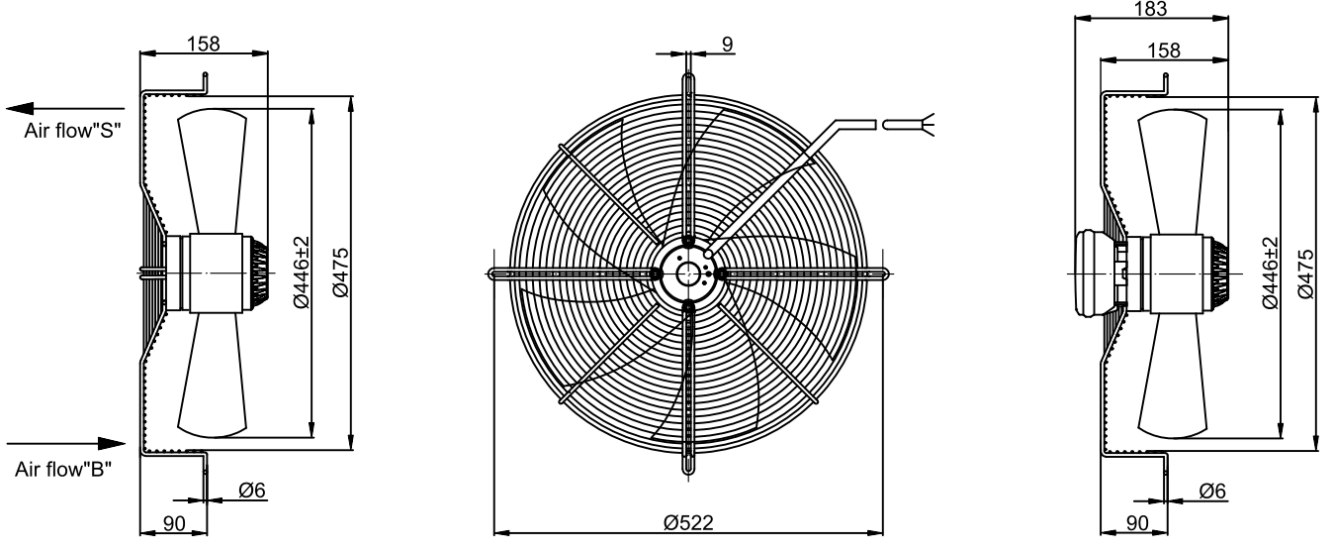
TestID	2012021504		Capacitor	4 uF						
Test environment										
Outlet size	Outlet area	Temperature	Humidity	Baropressure	Density					
710mm	0.3959m ²	12°C	81%	102.5kPa	1.2kg/m ³					
Test data										
Voltage	Frequency	Speed	Power input	Current	Airflow	Static pressure	Dynamic pressure	Total pressure	Pressure Difference	Nozzle Size
V	Hz	r/min	W	A	m ³ /h	Pa	Pa	Pa	Pa	mm
231.4	60	992	198	0.86	1526	71	1	72	149	+189*1
231.4	60	1033	186	0.81	2002	70	1	71	255	+189*1
231.5	60	1060	175	0.76	2421	60	2	62	372	+189*1
231.5	60	1072	169	0.73	2659	50	2	52	448	+189*1
231	60	1085	164	0.71	2941	40	3	42	208	150+189*1
230.9	60	1095	159	0.69	3250	30	3	34	253	150+189*1
231	60	1105	153	0.67	3494	20	4	24	293	150+189*1
231.3	60	1113	149	0.65	3720	10	4	15	332	150+189*1
231	60	1120	142	0.62	3926	0	5	5	369	150+189*1

Model: YWF(K)6E450-Z

Fan type: AC Axial fan

TestID	2012021503			Capacitor	4 uF					
Test environment										
Outlet size	Outlet area	Temperature	Humidity	Baropressure	Density					
710mm	0.3959m ²	12°C	82%	102.5kPa	1.2kg/m ³					
Test data										
Voltage	Frequency	Speed	Power input	Current	Airflow	Static pressure	Dynamic pressure	Total pressure	Pressure Difference	Nozzle Size
V	Hz	r/min	W	A	m ³ /h	Pa	Pa	Pa	Pa	mm
230.8	50	880	167	0.73	987	80	0	80	157	150+189*0
231.2	50	895	160	0.7	1180	70	0	71	224	150+189*0
231.2	50	925	139	0.62	1973	51	1	52	248	+189*1
231	50	933	134	0.6	2249	40	2	42	322	+189*1
230.3	50	939	130	0.59	2543	30	2	32	411	+189*1
230.7	50	945	127	0.58	2850	20	2	22	515	+189*1
229.7	50	949	123	0.57	3097	10	3	13	230	150+189*1
230.6	50	955	119	0.55	3327	0	3	4	266	150+189*1

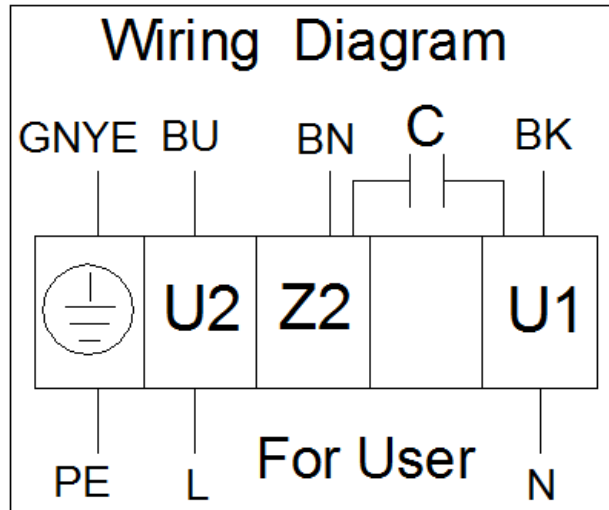
Dimensions(in mm)



Model:YWF(K)6E450-Z

Fan type:AC Axial fan

Wiring diagram



Attentions

- Please check the appearance and the accessories if there is no damage before use, check the model is consistent with requirements;
- Keep reliable grounding according to the wiring diagram. to avoid motor burning and personal accident, please check wiring is loose or fall off;
- Before connect the power supply, check whether the motor is reliable, otherwise it will cause motor damage and personal injury;
- It is forbidden to pull the power cable, if the power cable is damaged, to be repaired before use, to avoid the accident of electric shock;
- Drop or impact motor is forbidden;
- Washing motor with water is prohibited, it will reduce the motor insulation level, even lead to electric leakage even endanger personal safety;
- Special customized product is designed for specified requirements, please consult with our engineers before change useage;
- The temperature of the motor shell may be higher in a short time after the fan stopped, Please avoid direct contact with the motor surface. If necessary, please take protective measures to prevent scald;

Model:YWF(K)6E450-Z

Fan type:AC Axial fan

- Do not contact the impeller when the fan running, you need to wait for all the parts stopped before operate it;
- When the fan is installed, check and ensure there is no debris in the shell and other shell body, keep the fan clean;
- After the fan installation complete, before connected to supply, please confirm that there is no collision or interference or stuck.

Product life and maintenance, warranty

- The design life of this product is 40,000 hours. This data is derived from the expected life of L10 for general ball bearings at 40°C is 40,000 hours. The actual service life of the product is affected by the use environment (temperature, humidity, installation, bearing load, etc.).
- According to the use of the environment, please make a clean maintenance every 3~6 months.
- From the date of purchase (order delivery date), The warranty period is one year. During this period, for failure due to the quality of the product itself, we provide free replacement or repairing. If the damage caused by improper disassembly, transportation, artificial damage or natural disasters, etc., is not in the scope of this warranty;