

# FE2owlet

for single phase alternating current, 6 pole

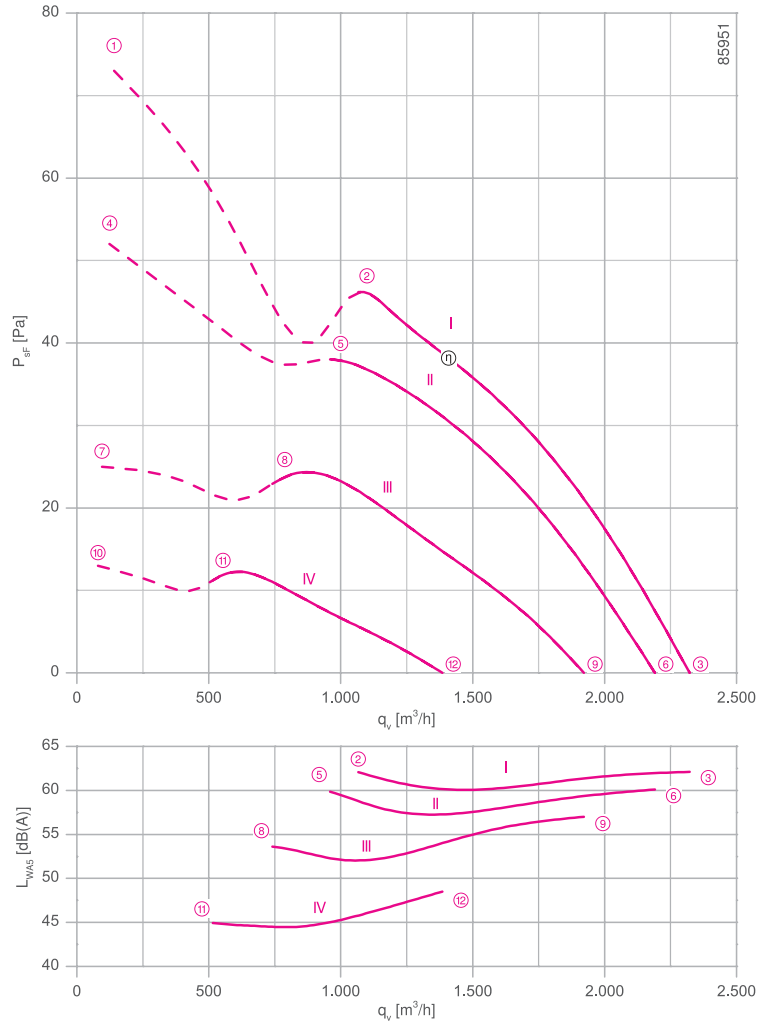
FN035-6E



### Description

Motor technology: AC  
 Rated voltage  $U_N$ : 1~ 230 V $\pm$ 10 %\*  
 Rated frequency  $f_N$ : 50 Hz\* (60Hz data available)  
 Input power  $P_i$ : 85 W\*  
 Rated current  $I_N$ : 0.39 A\*  
 Rated speed  $n_N$ : 930 min<sup>-1</sup>\*  
 Starting current  $I_a$ : 0.75 A  
 Current increase  $\Delta I$ : 0 %  
 Service capacitor  $C_{400V}$ : 3.0  $\mu$ F  
 Thermal class: THCL155\*  
 Min. permitted ambient temperature  $t_{R(min)}$ : -25 °C  
 Max. permitted ambient temperature  $t_{R(max)}$ : 70 °C  
 Electrical connection: Terminal box  
 Number of blades: 7  
 Protection class: IP54  
 Motor protection: thermal contact  
 Blades: High Performance Composite Material, uncoated,  
 Rotor: Aluminium, 1 coat paint, jet black  
 Conformity: CE  
**ErP-data**  
 Not subject to the regulations of ErP directive ( $P_i < 125$  W)  
 \* Rated data

### Characteristic curve



Measured in full bell mouth without guard grille in installation type A according to ISO 5801

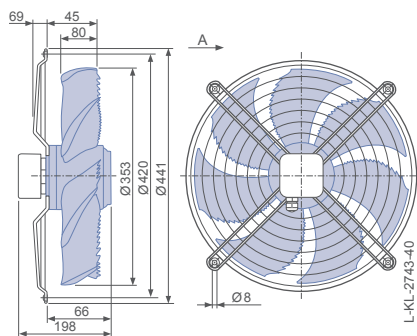
Connection diagram Page 531  
 for airflow direction A 1360-104XB  
 for airflow direction V 1360-104XA

System components Page 430

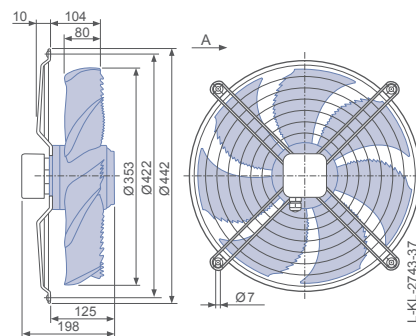
### Dimensions mm

#### Airflow direction A

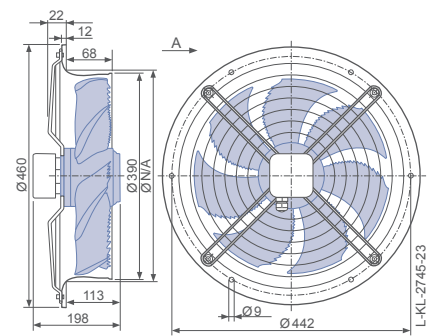
Design W - axial bolted, mounting for short bell mouth, guard grille suction side



Design D - axial bolted, suspension for full bell mouth, guard grille suction side



Design L - round full bell mouth, guard grille suction side









Performance data

Type	Characteristic curve	Voltage	Operating point	Current	Input power	Speed	Suction side sound power level
		U V		I A	P <sub>1</sub> W	n min <sup>-1</sup>	L <sub>WA5</sub> dB(A)
FN035-6E_OC_7P2	I	230	①	0.42	95	900	
		230*	②	0.39*	85*	930*	62
		230	③	0.37	80	940	62
	II	170	④	0.42	70	760	
		170	⑤	0.36	60	850	60
		170	⑥	0.31	55	890	60
	III	135	⑦	0.38	50	530	
		135	⑧	0.36	48	670	54
		135	⑨	0.32	42	780	57
	IV	110	⑩	0.33	36	390	
		110	⑪	0.32	34	470	45
		110	⑫	0.31	34	570	49

\*rated data

Fan ordering information

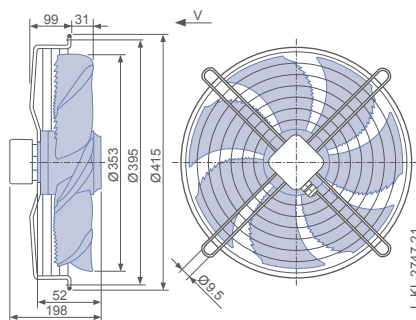
	Airflow direction A			Airflow direction V		
Design	W (guard grille suction side)	D (guard grille suction side)	L (guard grille suction side)	K (guard grille pressure side)	I (guard grille pressure side)	H (guard grille pressure side)
						
<b>Type Article no.</b>	<b>FN035-6EW.OC.A7P2 155897</b>	<b>FN035-6ED.OC.A7P2 155895</b>	<b>FN035-6EL.OC.A7P2 155896</b>	<b>FN035-6EK.OC.V7P2 155901</b>	<b>FN035-6EI.OC.V7P2 155899</b>	<b>FN035-6EH.OC.V7P2 155900</b>
Weight kg	4.50	4.10	6.10	4.60	4.10	6.10

Control technology

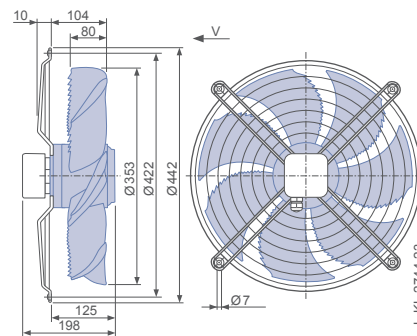
<p>Frequency inverters Control 1~</p>  <p>Page 474</p>	<p>Motor protection units 1~</p>  <p>Page 518</p>	<p>Electronic voltage controllers 1~</p>  <p>Page 492</p>
---	--	--

Airflow direction V

Design K - axial bolted, mounted for short bell mouth, guard grille pressure side



Design I - axial bolted, mounting for bell mouth flange, guard grille pressure side



Design H - pipe sockets with a flange, guard grille pressure side

