

EconoMini™



Rotary Diaphragm



MADE IN BRITAIN

1 year warranty

Performance



21 dba

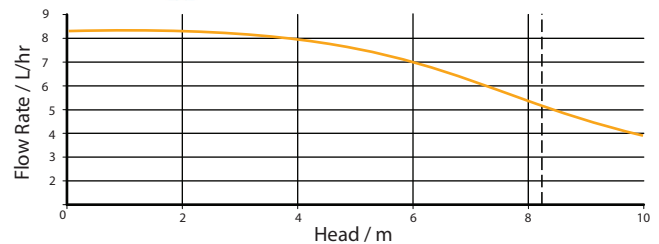
Max flow	Max head	Max suction lift
8 litres/hour	8 metres	5 metres

Self-priming and running silent when either wet or dry, the EconoMini™ condensate removal pump provides installers complete flexibility when it comes to positioning the pump. With a compact, lightweight package the EconoMini™ can retrofit around existing pipe work or cornering trunking as well as into the ceiling void.

Sensing Options

EconoMini™ pump available with:

Temperature sensor	CR Plug
 X87-515	 X87-514



Why BlueDiamond® ?



Run Dry

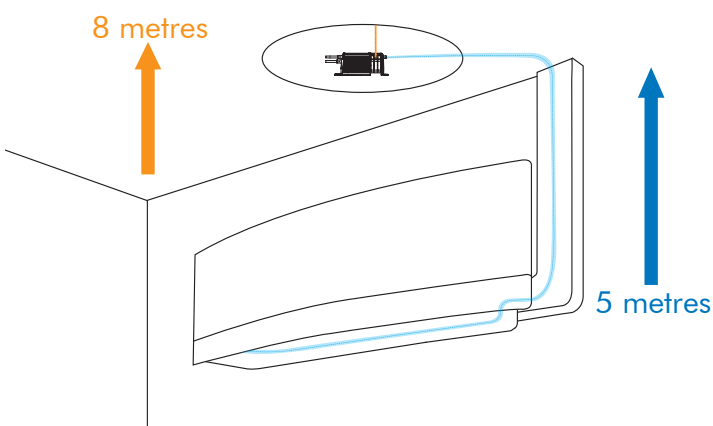
All of the BlueDiamond® pumps have the ability to run dry without burning out. Enabling them to remove any liquids, preventing organic growth inside the tubing.



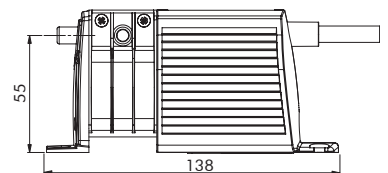
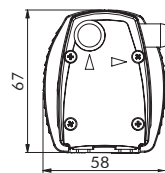
Whisper Quiet

Quiet in all stages of operation and not only when set to quiet mode or relying on a soft start setting.

Installation Options



Dimensions (mm)



The EconoMini™ can be mounted in any orientation up to 5m away from the air conditioning unit.

