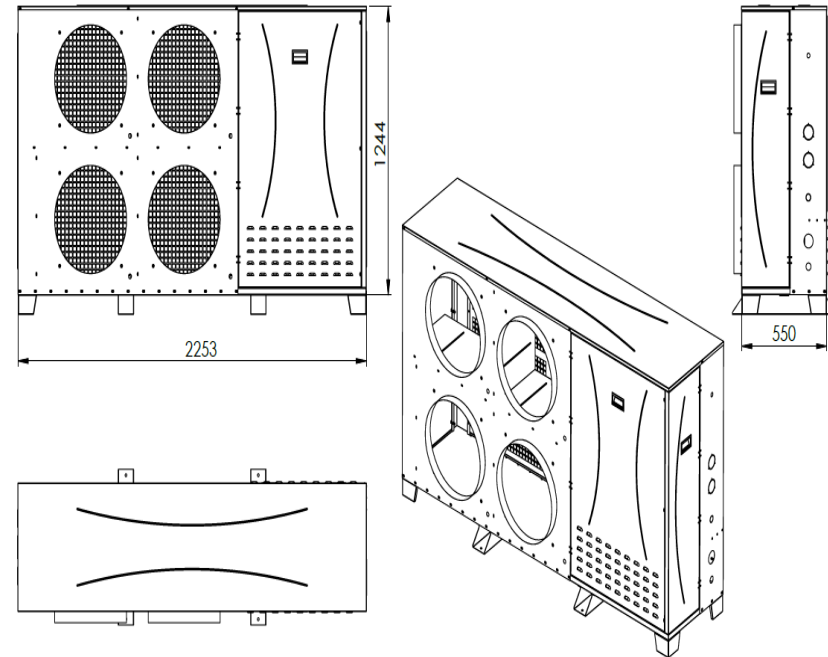


TECHNICAL FEATURES

# FrigoCraft H730-C12.SZ4450.SE6067.ES4 Split Unit

Technical Features	
General Features	
Production Facility	Turkey
Brand	FrigoCraft
Type of casing	With Housing
Application	+5/45°C EN12900/10K-SH
Application Areas	Cool Serie
Refrigerant	R404A
Cooling Capacity (Watts) (+5/+45°C)	25.198
Energy Efficiency (COP)	3,25
Body Model	FrigoCraft Body -12 CSH- 450
Liquid Line	5/8"
Suction Line	1 1/8"
Charge Valve	-
Net Weight	-
Brute Weight	-
Condenser and Fan Information	
Condenser Brand	Karyer
Condenser Model	FrigoCraft Kondenser -12-CSH-450
Condenser Capacity Watts Dt = 15 °C	55.000
Condenser Fin Space (mm)	2,10
Air Flow (m3/h)	23.294
Fan Motor Brand	Ziehl-Abegg
Fan Motor Model	Ziehl-Abegg FN050-4EK.4I.V7P1 Fan Motoru - 140057
Rotation (RPM)	4 Kutup (~1400 devir)
Fan Wing	-
Fan Brackets & Grills	-
Fan Motor (Quantity x Diameter)	4X500
Fan Motor Input Power (kW)	4x0,750
Fan Motor Power Sup. (V / Ph / Hz)	220 - 230 / 1 / 50
Fluid Line	
Liquid Tank	FrigoCraft10lt 5/8" İ.U.T.V.İi Sideways Liquid Tank
Filter Dryers	Danfoss 023Z4581 DML 165S K.Filter 5/8" Solder
Gas Sightglass	Danfoss 014-0184 SGN 16S - 5/8" Solder
Solenoid Valve	Danfoss 032F1214 EVR 10 Solenoid Valve 5/8" Solder
Solenoid Valve Bobine	Danfoss 018F6176 IP20 10W Bobine 220V50Hz
Discharge Line Service Valve	SanHua SSV-14004 SSV-JA5GSHC-15-Clima Valve 5/8"
Suction Line Service Valve	SanHua SBV-13030 Ball Valve- Service Port. 1 1/8"
Controls	
Combined High Pressure Control	Danfoss 061F9077 ACB-2UC85W Y.B.O. 20.0/25.0 bar
Low Pressure Control	Danfoss 061F9032 ACB-2UC32W A.B.O. 0,3/1,8 bar
Fan Control	Danfoss 061F8490 ACB-2UA392W F.K. 8,5/11,0 bar
Electrical Panel	F.Craft ABB 9 hp Embraco Scroll Pano



Compressor Features	
Compressor Brand	Embraco
Compressor Type	Scroll Type
Compressor Model	Embraco SE6067GS-0 ( 9,00 Hp Trif - MBP) OEM Plt.
Compressor Crank Heater	Krank Heater 54cm / 70W / 220V (38-48)
Compressor Quantity & Power (Pcs-Hp)	1 X9,00
Compressor Power Sup. (V / Ph / Hz)	380-400 /3/50
Compressor Discharge Rotolok Valve	Rotolok Valve V07 (22mm / 1-3/4" 12UNF)
Compressor Suction Rotolok Valve	Rotolok Valve V02 (28mm / 1-3/4" 12UN )